

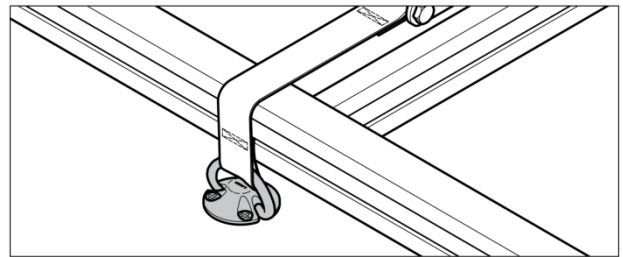
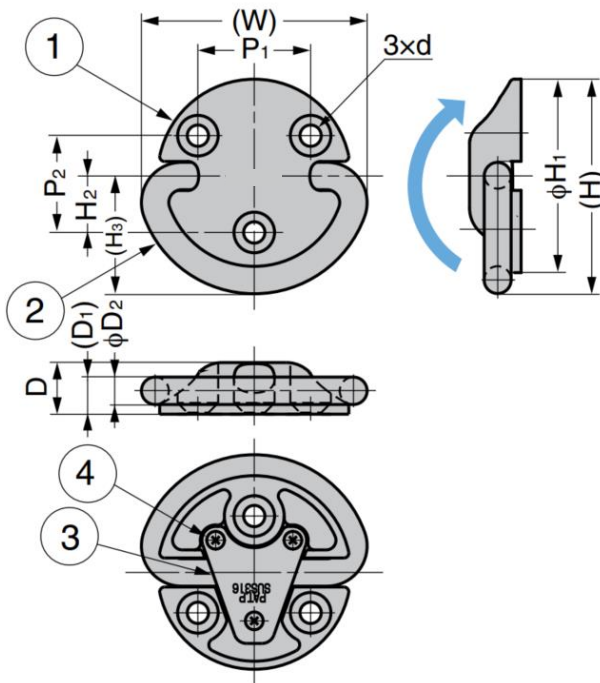
## GEY-R Heavy Duty Folding Pad Eye

### Features

- Arm can be folded for safety
- Friction function prevents the arm from noise caused by vibration
- Arm is made of special stainless steel with high strength (corrosion resistance is equivalent to SUS304)
- Buffering effect of body protects the mounting surface from scratches
- Suitable applications include marine or offshore facilities

### Parts Included

- **GEY-R50:** Hexagon socket c/s head screw M5×16 (SUS)
- **GEY-R60:** Hexagon socket c/s head screw M6×16 (SUS)
- **GEY-R80:** Hexagon socket c/s head screw M8×16 (SUS)



No.	Part Name	Material	Finish
①	Body	Stainless Steel (SCS14)	Barrel
②	Arm	Stainless Steel	Polished
③	Back Plate	Stainless Steel (SUS304-CSP)	Plain
④	Pan Head Tapping Screw M3×5	Stainless Steel (SUS316)	–

※SCS14 is equivalent to SUS316

Part No.	W	H	H <sub>1</sub>	H <sub>2</sub>	H <sub>3</sub>	D	D <sub>1</sub>	D <sub>2</sub>	P <sub>1</sub>	P <sub>2</sub>	D	Load Capacity
<b>GEY-R50</b>	61.4	56.5	48	13	32.5	14.5	10.5	7.9	28	24	ø5.5, ø10.4	4,900 N 500 kg
<b>GEY-R60</b>	75.5	69.5	60	17.5	39.5	16	11.5	8.9	35	30	ø6.6, ø12.6	7,840 N 800 kg
<b>GEY-R80</b>	101.3	92.5	80	23	52.5	19	14	11.4	45	40	ø9, ø17.3	11,760 N 1,200 kg